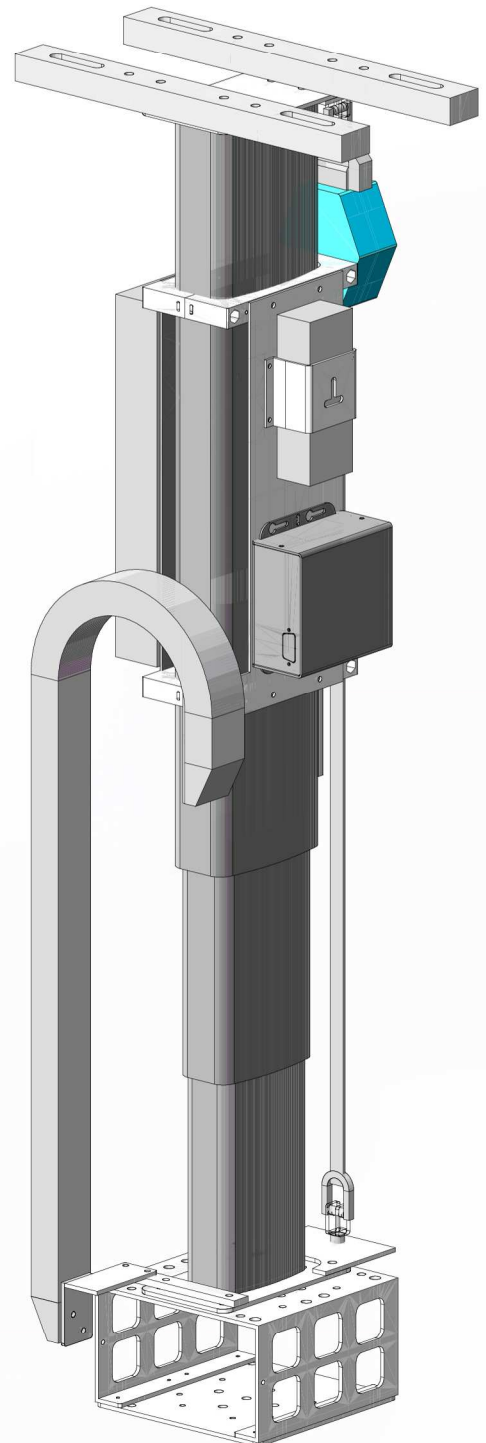
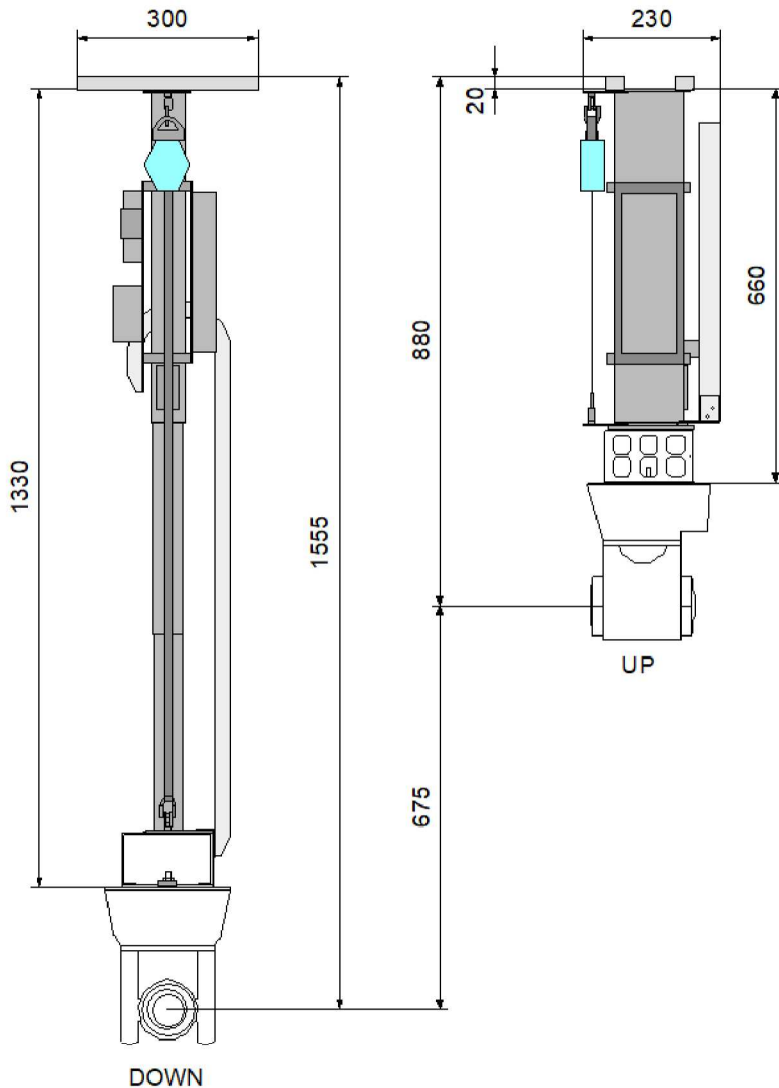


STARTER

DESCENDER

A new family of cost effective products is born



Weight: **15kg**
Column stroke: **675mm**
Length: **300mm**
Width: **230mm**
Max height: **1555mm**
Min height: **880mm**
Payload: **15Kg**
Duty Cycle: **30%**



TecnoPoint reserves the right to make technical and dimensional changes to the presented products without prior notice.