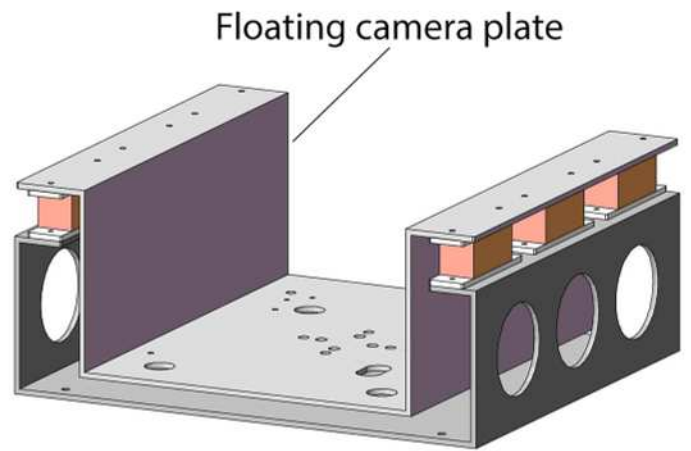




Stabilizer plate for PTZ

Jabba Floor Plate Model - TS021

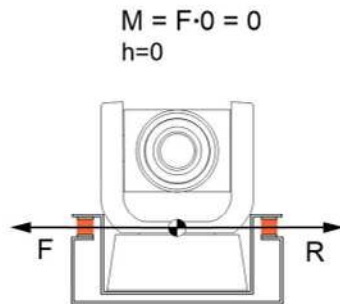
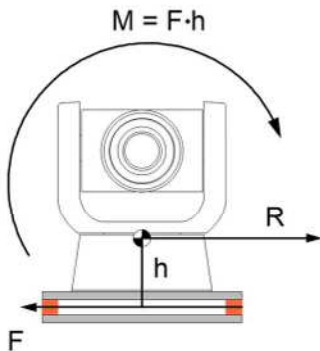


The jabba plate is made of two plates and anti-vibration pads

Weight: ~4Kg

Dimension: 270x240x114h mm

Jabba concept - (Patent n.202019000004365)

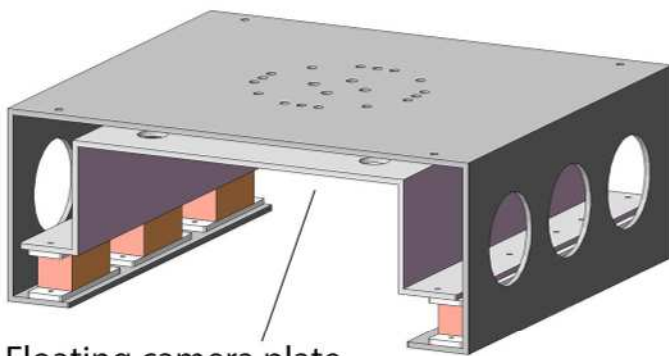


The vibrations generated by the movement, can be eliminate to mount the ptz camera on the Jabba plate



Stabilizer plate for PTZ

Jabba Ceiling Plate Model - TS020



Floating camera plate

Weight: ~4Kg

Dimension: 270x240x104h mm



The jabba plate is made of two plates and anti-vibration pads

TecnoPoint reserves the right to make technical and dimensional changes to the presented products without prior notice.