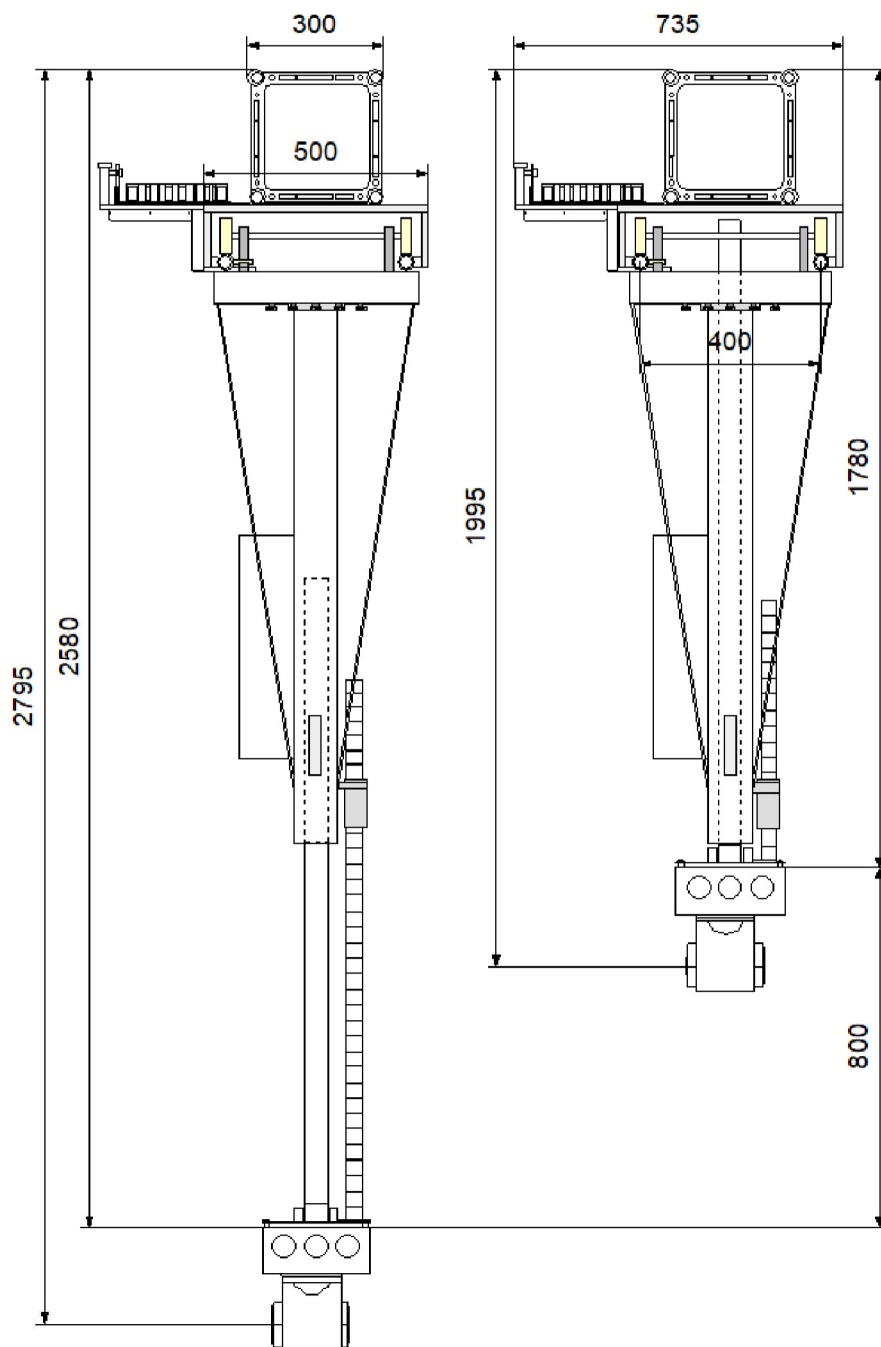


Ceiling Dolly + Descender 80

Robotic system ceiling track for PTZ



Dolly and column weight: **45Kg**

Track weight: **17Kg/m**

Track interaxis: **400mm**

Column stroke: **800mm**

Max height: **2795mm**

Min height: **1995mm**

Max dolly speed: **0,5m/s**

Max Column speed: **10cm/s**

Maximum power: **0,30KW**

P/S Input: **100-240 Vac**

Operating voltage: **24Vdc**

Payload: **5Kg**

Truss included

Inside chain cable management

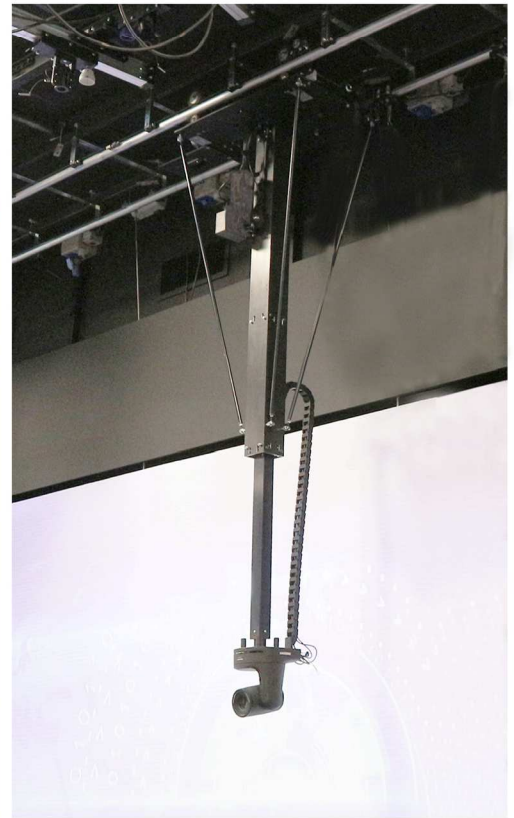
Available straight track size: **1m,1,5m,2m**

Maximum track length: **15m**



Ceiling Dolly + Descender 80

Robotic system ceiling track for PTZ



TecnoPoint reserves the right to make technical and dimensional changes to the presented products without prior notice.